

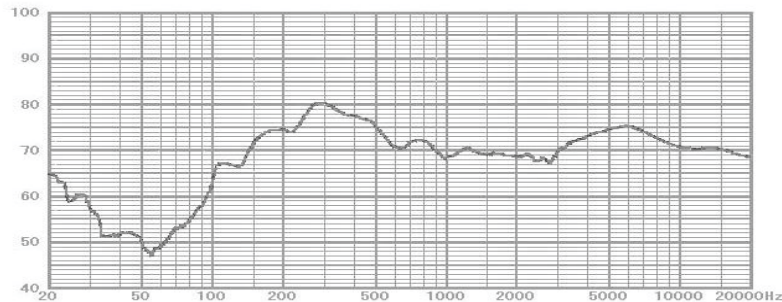
Product Name : Flat Speaker (FPS0204M7R4 as Speaker unit,  
FPS0204M7R3 as Punching covered model)

## Specifications

1. Type (Struct., Freq.) : Flat, 160-20kHz
2. Rated (MAX) Input : 5W (10W Max.)
3. Rated Impedance :  $4\Omega \pm 15\%$
4. Resonance Freq. (f0) :  $160\text{Hz} \pm 20\%$
5. Sound Pressure Level :  $77\text{dB} \pm 3\text{dB} / 1\text{W}/1\text{m}$  (300,400,500,600Hz avg.)
6. Harmonic Distortion : under 5% (Rated Input 5W/1kHz)
6. Polarity : When a positive DC current is applied to the voice coil terminal marked PLUS, the diaphragm shall move forward.
7. Terminal : Positive side : #205 or equivalent, Negative side : #110 or equivalent
8. Mass : speaker unit 41g, with punching cover 54g
9. Magnet : Rare Earth 7x7x2.5mm x 8pcs
10. Outside Dimensions : Speaker unit (R4): W40mm x H82mm x D7.8mm,  
Punching cover (R3) : W46mm x H87mm x D12mm

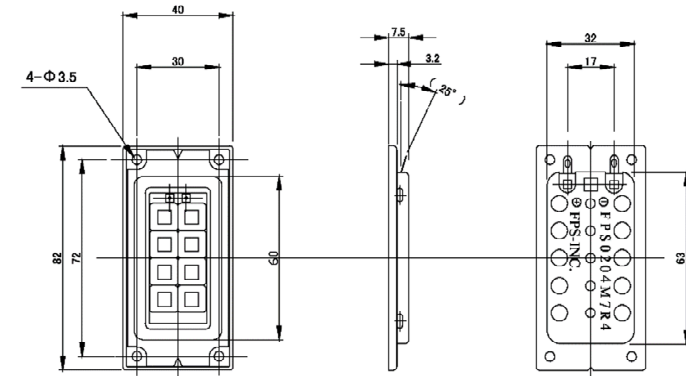
## Life Test

1. Heat Resistance :  $70^\circ\text{C}$  20-50%, 96 Hours
2. Cold Resistance :  $-30^\circ\text{C}$ , 96 Hours
3. Humidity Resistance : 90-95%,  $40^\circ\text{C}$ , 96 Hours
4. Load Test :  $15-25^\circ\text{C}$ , JIS 5W 96 Hours
5. Withstand Voltage Test : Terminal – Frame 100V AC 1min upper/ 100VDC 1M  $\Omega$  upper
6. Environmental Standard : Comply with RoHS
7. Pass Criterion : Fulfill the specification of the after-test following.
8. Representative frequency response : 1W / 0.5m / JIS BOX C5532



## FPS0204M7R4 outline drawing

FPS0204M7R4 OUTLINE



FPS INC.