

Product Name : Hybrid Speaker FH-02P

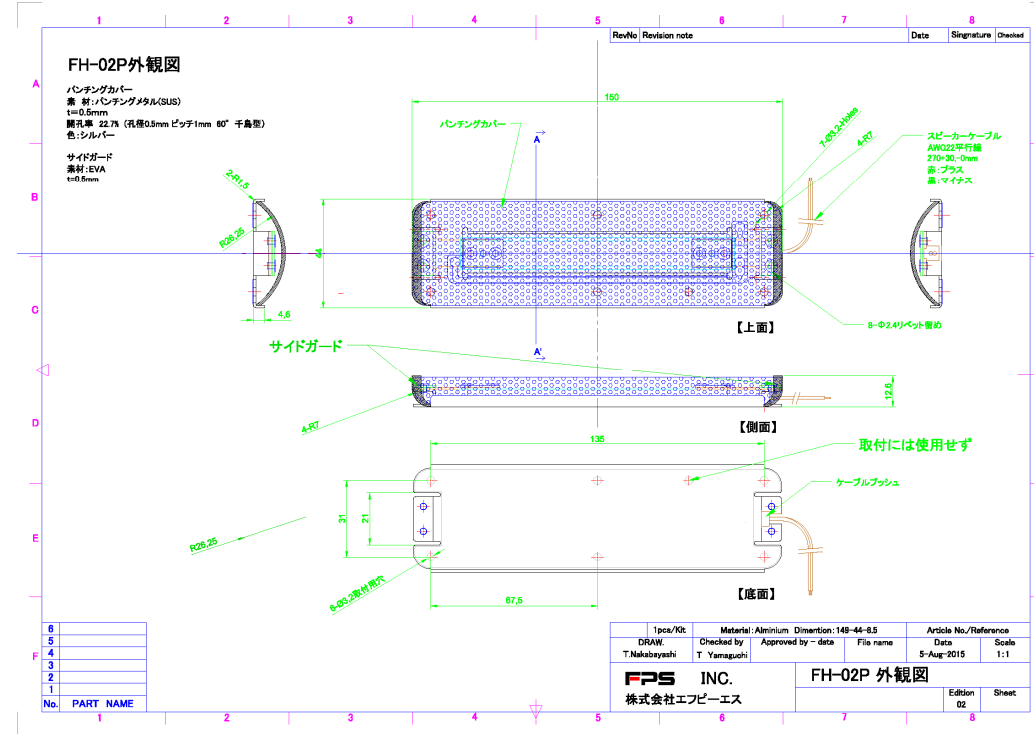
Specifications

1. Type (Struct., Freq.) : Flat&Exciter, Freq. Range varies by mounting materials
2. Rated (MAX) Input : 10W (20W Max.)
3. Rated Impedance : 4Ω±15%
4. Resonance Freq. (f0) : Freq. Range varies by mounting materials
5. Sound Pressure Level : 85dB±3dB /1W/0.5m (500,600,700,3k,4k,5kHz avg.)
6. Polarity : When a positive DC current is applied to the voice coil terminal marked PLUS, the diaphragm shall move forward.
7. Terminal : AWG22 flat cable (270 + 30, -0mm)
8. Mass : 85g±2g
9. Magnet : Rare Earth 7pcs
10. Outside Dimensions : W44mm x H150mm x D12.6mm

Life Test

1. Heat Resistance : 70°C 20-50%, 100 Hours
2. Cold Resistance : -40°C, 100 Hours
3. Humidity Resistance : 92-96%, 40°C, 100 Hours
4. Load Test : 15-25°C, JIS 10W 100 Hours
5. Withstand Voltage Test : Terminal – Frame 100V AC 1M Ω upper
6. Environmental Standard : Comply with RoHS
7. Pass Criterion : Fulfill the specification of the after-test following.
8. Representative frequency response : 1W / 0.5m / JIS BOX C5532
(mounted on isocyanate board T=10, 320 x 360mm)

FH-02P outline drawing



JIS標準密閉BOX (JIS C5532)
 インシアンボード材t=10mm 320mmx360mm

