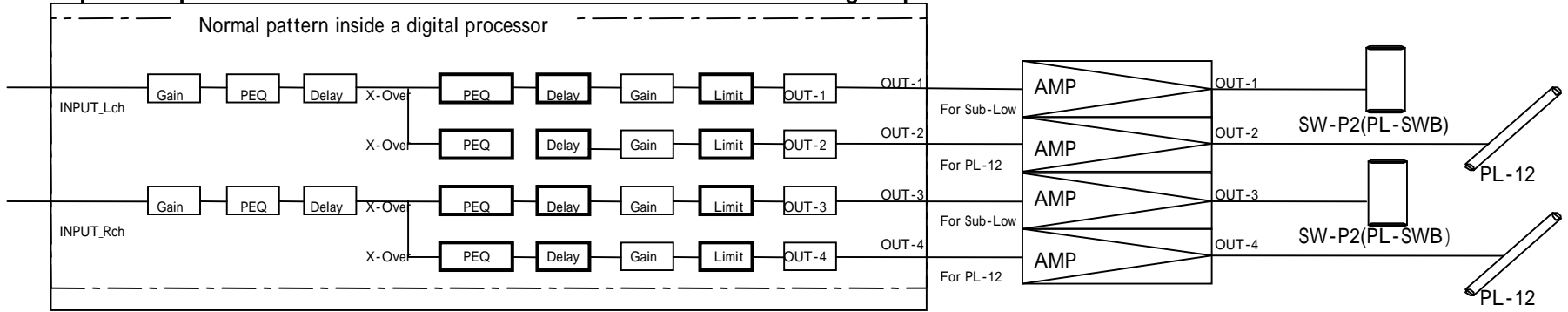


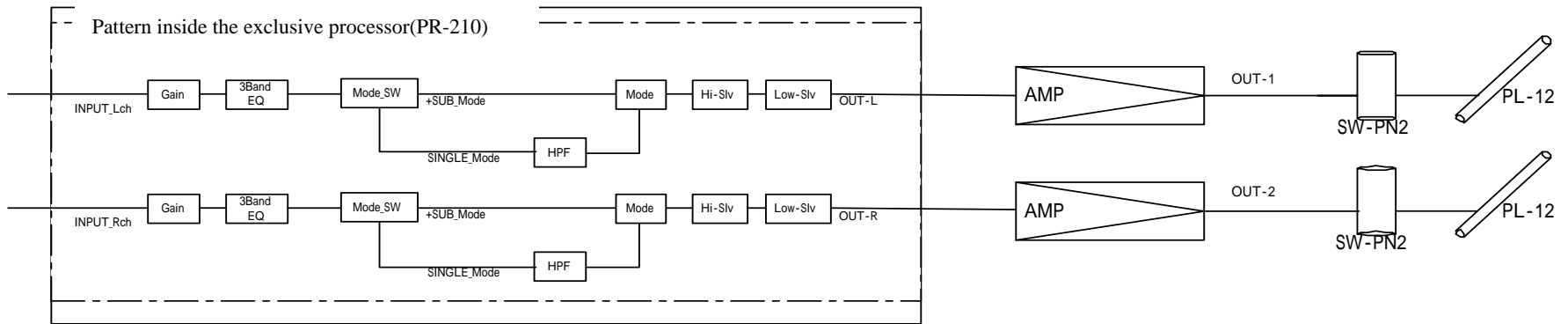
Basic pattern to connect with other apparatuses

In case PipeLine Speakers are used with sub-woofers in connection with a digital processor.



Sub-woofers=PL-SWB or SW-P2(both exclusive for PipeLine Speakers)

In case PipeLine Speakers are used with sub-woofers in connection with the exclusive processor.



Sub-woofers=SW-PN2(with built-in network)together with PR-210(exclusive processor for PipeLine Speakers)

- NL4FC AMP-OUT1 + : deep RED (HOT for SubLow)
- AMP-OUT1 - : deep WHITE (COM for SubLow)
- AMP-OUT2 + : faint RED (HOT for PL-12)
- AMP-OUT2 - : faint WHITE (COM for PL-12)

Same OUT3,4